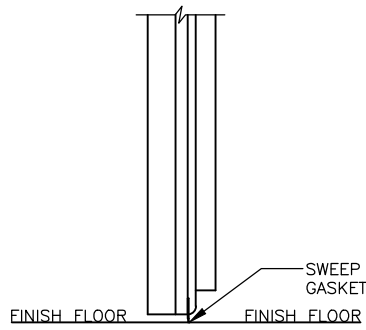
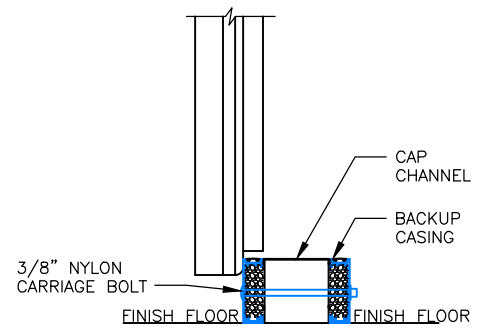


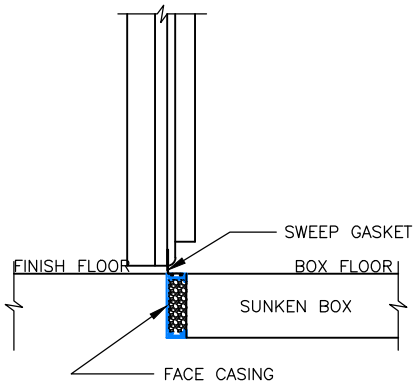
① SCALE: 1" = 1'-0"



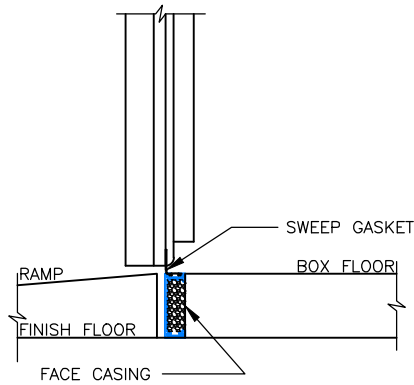
② SCALE: 1" = 1'-0"



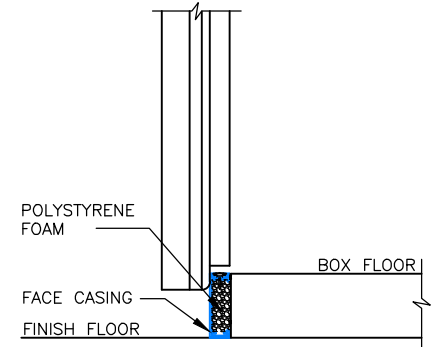
③ SCALE: 1" = 1'-0"



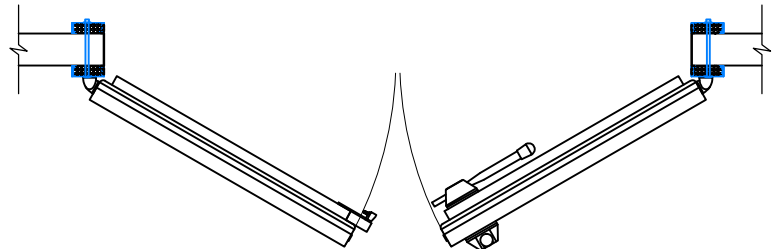
④ SCALE: 1" = 1'-0"



⑤ SCALE: 1" = 1'-0"



⑥ SCALE: 1" = 1'-0"



⑦ SCALE: 1/2" = 1'-0"

Double Swing Doors with Backup Casings and Cap Channels

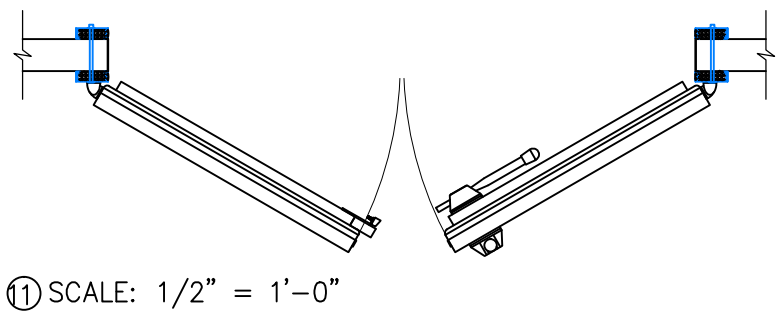
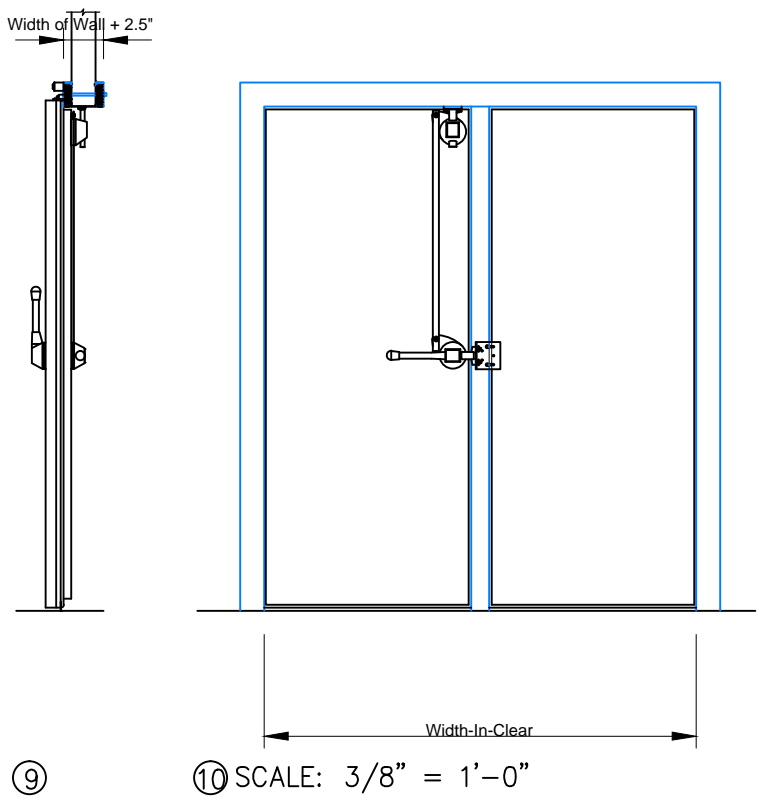
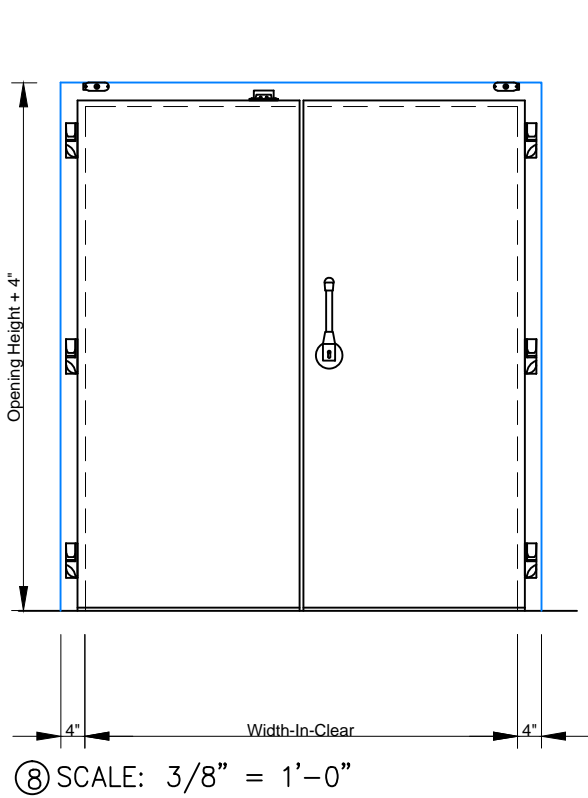
Model EFD-DSD-1

Bullet Hinges

Rotary Compression Latch with Multi-Point Latching

- ① HEAD - SWING DOOR
- ② SILL DETAIL - SWEEP BOTTOM SWING DOOR
- ③ SILL DETAIL - HIGH SILL WITH STEP OVER
- ④ SILL DETAIL - HIGH SILL WITH SUNKEN BOX FLOOR
- ⑤ SILL DETAIL - HIGH SILL WITH REMOVABLE RAMP
- ⑥ SILL DETAIL - HIGH SILL
- ⑦ JAMB - DOUBLE SWING DOOR





Double Swing Doors with Backup Casings and Cap Channels

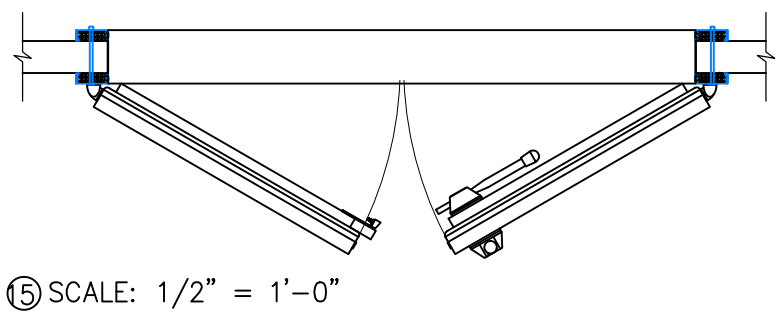
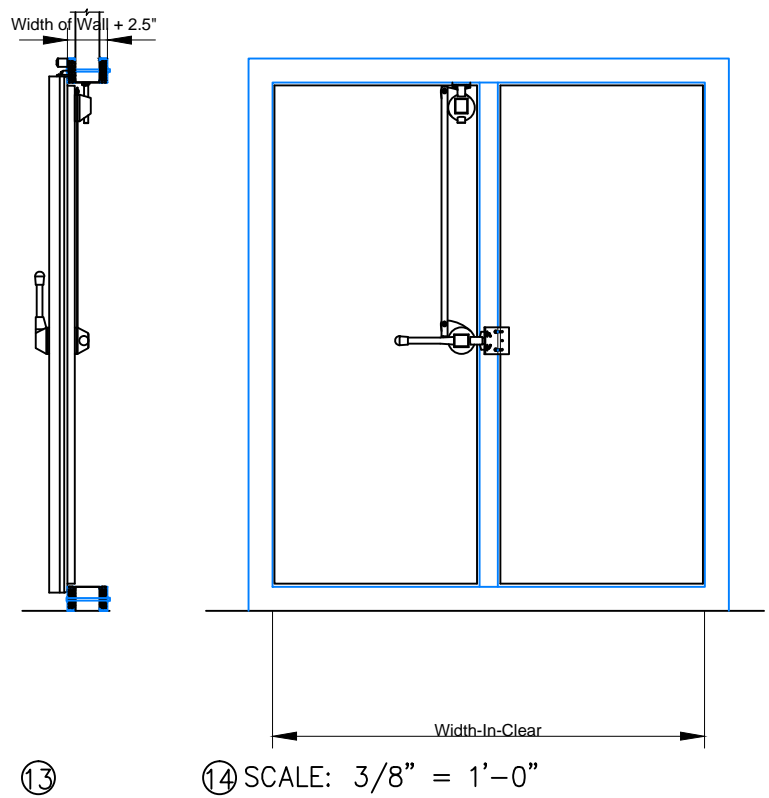
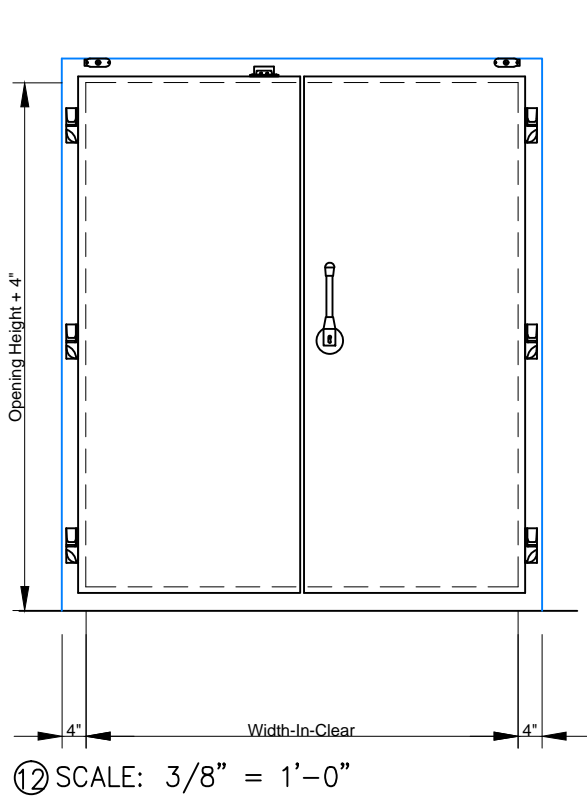
Model EFD-DSD-1

Bullet Hinges

Rotary Compression Latch with Multi-Point Latching

- ⑧ ELEVATION – SWEEP BOTTOM SWING DOORS (EXTERIOR)
- ⑨ SECTION – SWEEP BOTTOM SWING DOOR
- ⑩ ELEVATION – SWEEP BOTTOM SWING DOORS (INTERIOR)
- ⑪ JAMB – DOUBLE SWING DOORS





STEP OVER - Page 3/4

Double Swing Doors with Backup Casings and Cap Channels

Model EFD-DSD-1

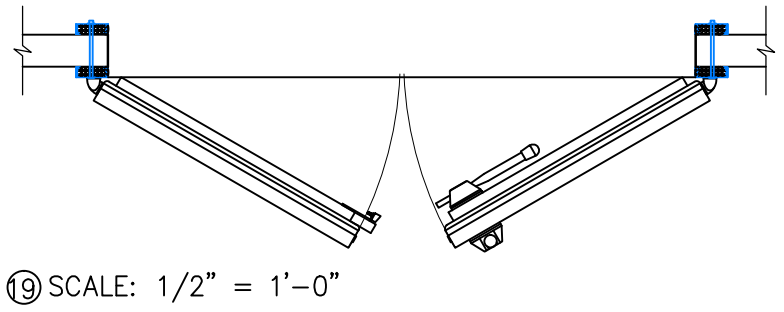
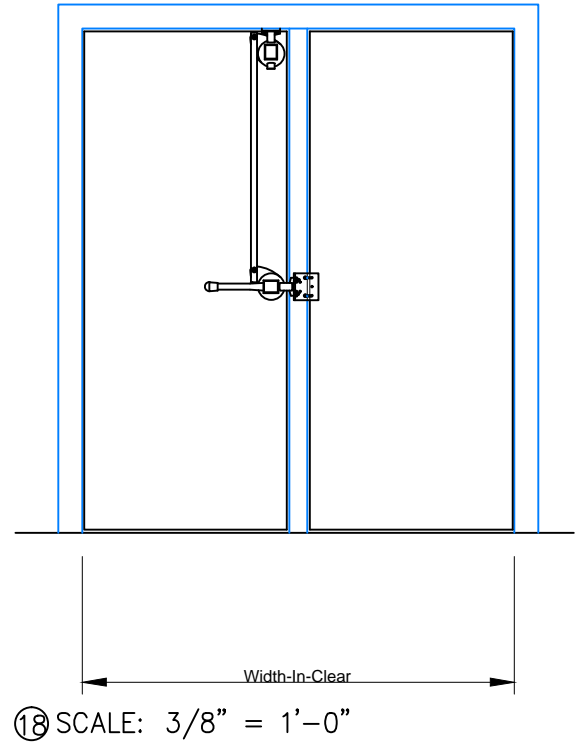
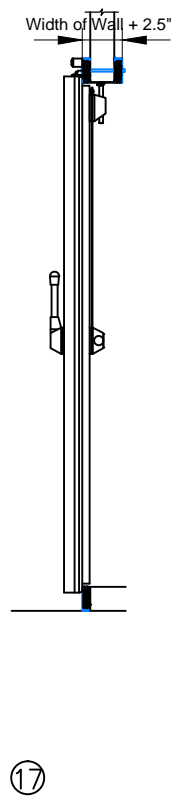
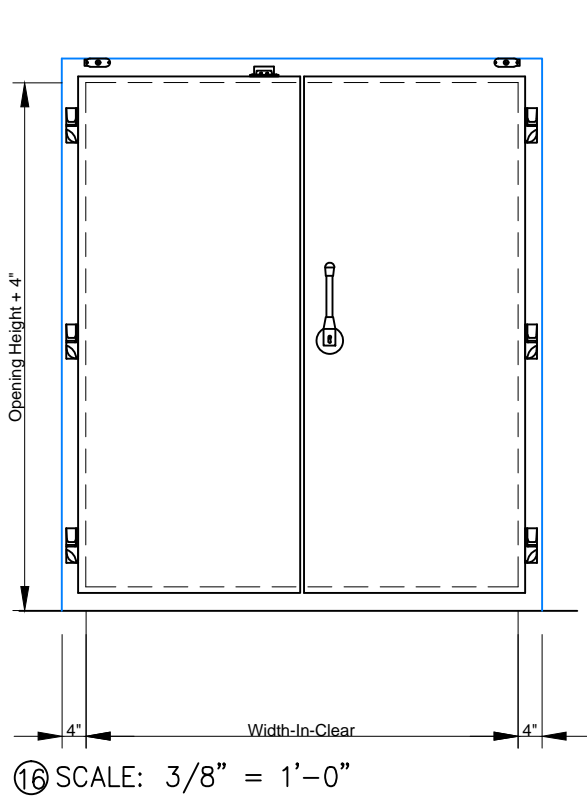
Bullet Hinges

Rotary Compression Latch with Multi-Point Latching

- ⑫ ELEVATION – STEP OVER SWING DOORS (EXTERIOR)
- ⑬ SECTION – STEP OVER SWING DOOR
- ⑭ ELEVATION – STEP OVER SWING DOORS (INTERIOR)
- ⑮ JAMB – DOUBLE SWING DOORS



ALL DRAWINGS ARE 3/8" = 1'-0" SCALE UNLESS OTHERWISE NOTED



HIGH SILL - Page 4/4

Double Swing Doors with Backup Casings and Cap Channels

Model EFD-DSD-1

Bullet Hinges

Rotary Compression Latch with Multi-Point Latching

- ①⑥ ELEVATION – HIGH SILL SWING DOORS (EXTERIOR)
- ①⑦ SECTION – HIGH SILL SWING DOOR
- ①⑧ ELEVATION – HIGH SILL SWING DOORS (INTERIOR)
- ①⑨ JAMB – DOUBLE SWING DOORS



ALL DRAWINGS ARE 3/8" = 1'-0" SCALE UNLESS OTHERWISE NOTED